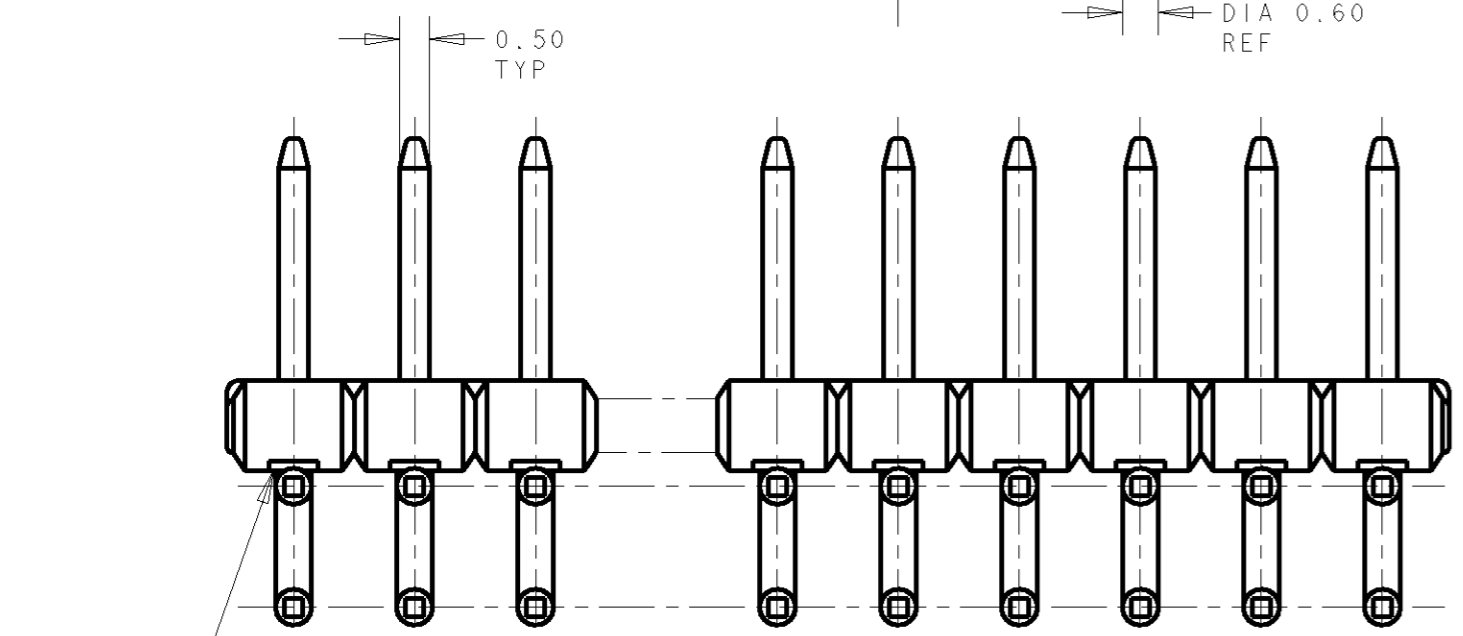
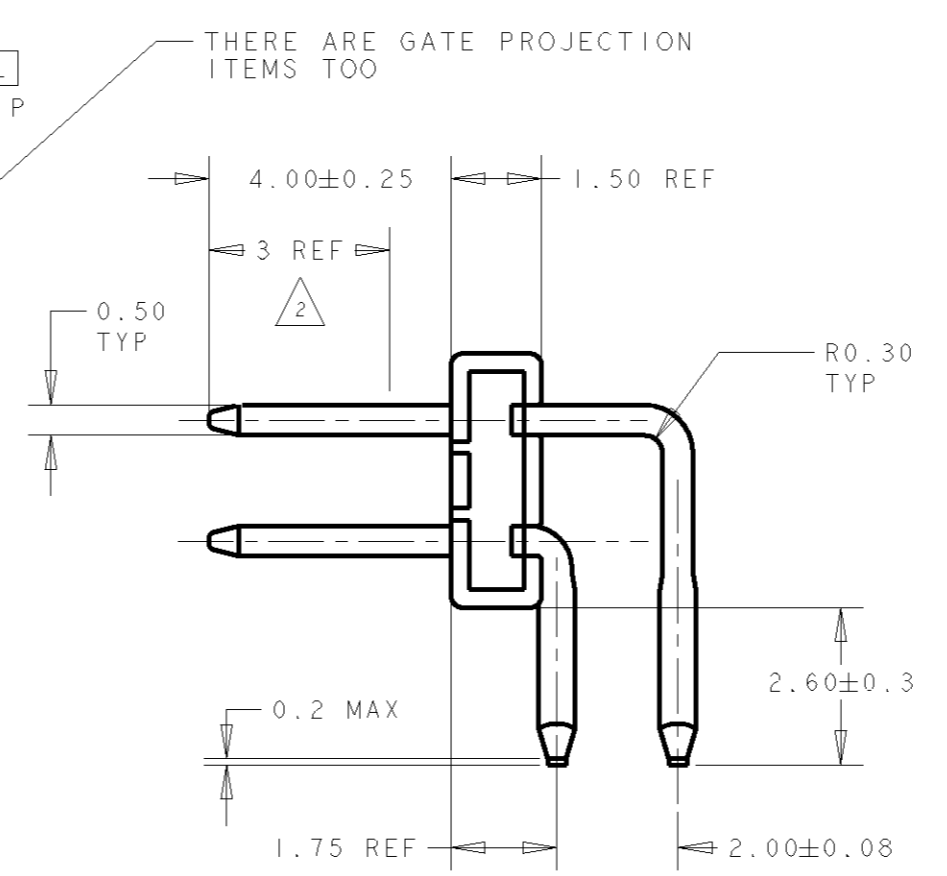
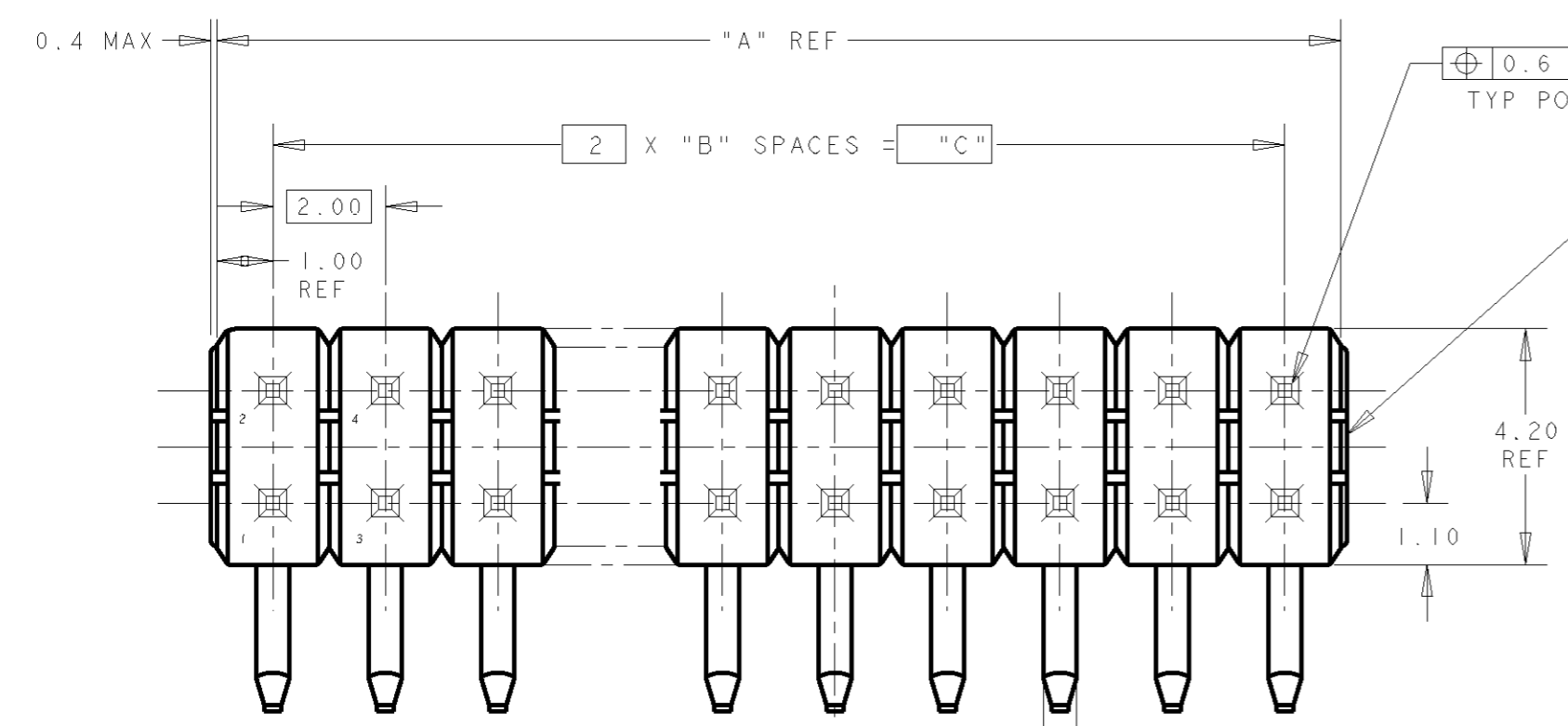
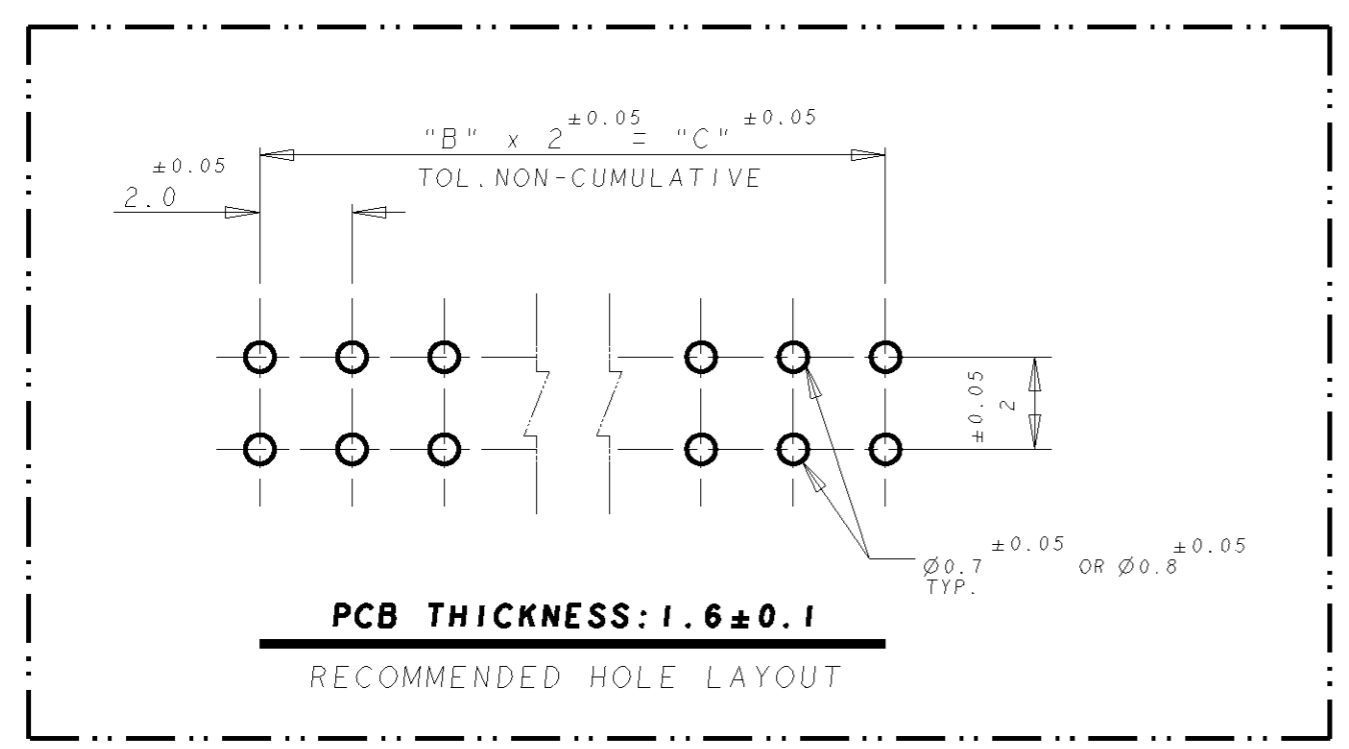


LOC		DIST		REVISIONS					
DY				P	LTR	DESCRIPTION	DATE	DWN	APVD
				03		REVISED ECR-06-014761	19JUN2006	YKW	LSF



- NOTES:
- 1 MATERIAL HOUSING: THERMOPLASTIC, UL 94V-0.
COLOR: BLACK
POST : BRASS
 - 2 FINISH CONTACT AREA, "D" MIN Au
ON NICKEL 0.0013 MIN ALL OVER
POST TINE: 0.001 MIN MATTE TIN
 - 3 FINISH 0.0025 MIN MATTE TIN OVER 0.0013 MIN
ON ENTIRE POST

3	NIL	NIL	14	7	16	16	5-	-3
3	NIL	NIL	38	19	40	40	5-	-2
	5, 16		14	7	16	16	5-	-1
	3, 16		14	7	16	16	5-	-0
	1, 8		6	3	8	8	4-	-9
	NIL		48	24	50	50	4-	-8
			46	23	48	48	4-	-7
			44	22	46	46	4-	-6
			40	20	42	42	4-	-4
			36	18	38	38	4-	-2
			34	17	36	36	4-	-1
			32	16	34	34	4-	-0
			30	15	32	32	3-	-9
			26	13	28	28	3-	-7
			20	10	22	22	3-	-4
			18	9	20	20	3-	-3
			16	8	18	18	3-	-2
			12	6	14	14	3-	-0
			4	2	6	6	2-	-6
		0.76µm	2	1	4	4	2-	-5
			48	24	50	50	2-	-4
			46	23	48	48	2-	-3
			44	22	46	46	2-	-2
			42	21	44	44	2-	-1
			40	20	42	42	2-	-0
			38	19	40	40	1-	-9
			36	18	38	38	1-	-8
			30	15	32	32	1-	-5
			28	14	30	30	1-	-4
			24	12	26	26	1-	-2
			16	8	18	18		-8
			14	7	16	16		-7
			12	6	14	14		-6
			10	5	12	12		-5
			8	4	10	10		-4
			6	3	8	8		-3
2		0.2µm	2	1	4	4		5176837-1



GENERAL TOLERANCE

0 < x < 10	: ±0.2
10 < x < 30	: ±0.25
30 < x < 100	: ±0.3
ANGLES	: ±3°

THIS DRAWING IS A CONTROLLED DOCUMENT FOR AMP INCORPORATED. IT IS SUBJECT TO CHANGE AND THE CONTROLLING ENGINEERING ORGANIZATION SHOULD BE CONTACTED FOR THE LATEST REVISION.

DIMENSIONS:	TOLERANCES UNLESS OTHERWISE SPECIFIED:	DWN	07MAR2005		Tyco Electronics
mm	0 PLC ±0.25 1 PLC ±0.2 2 PLC ±0.2 3 PLC ± 4 PLC ±	WYLEE	VINCENT TAN		Singapore Pte. Ltd.
	ANGLES ±	CHK	SE LEONG	NAME	AMPMODU 2mm PITCH POST HDR, HORIZONTAL TYPE, L=2.6
MATERIAL	FINISH	APVD		PRODUCT SPEC	
		APPLICATION SPEC		APPLICATION SPEC	
		WEIGHT		SIZE	A2
		CUSTOMER DRAWING		CAGE CODE	00779
				DRAWING NO	5176837
				SCALE	-
				SHEET	1 OF 1
				REV	03